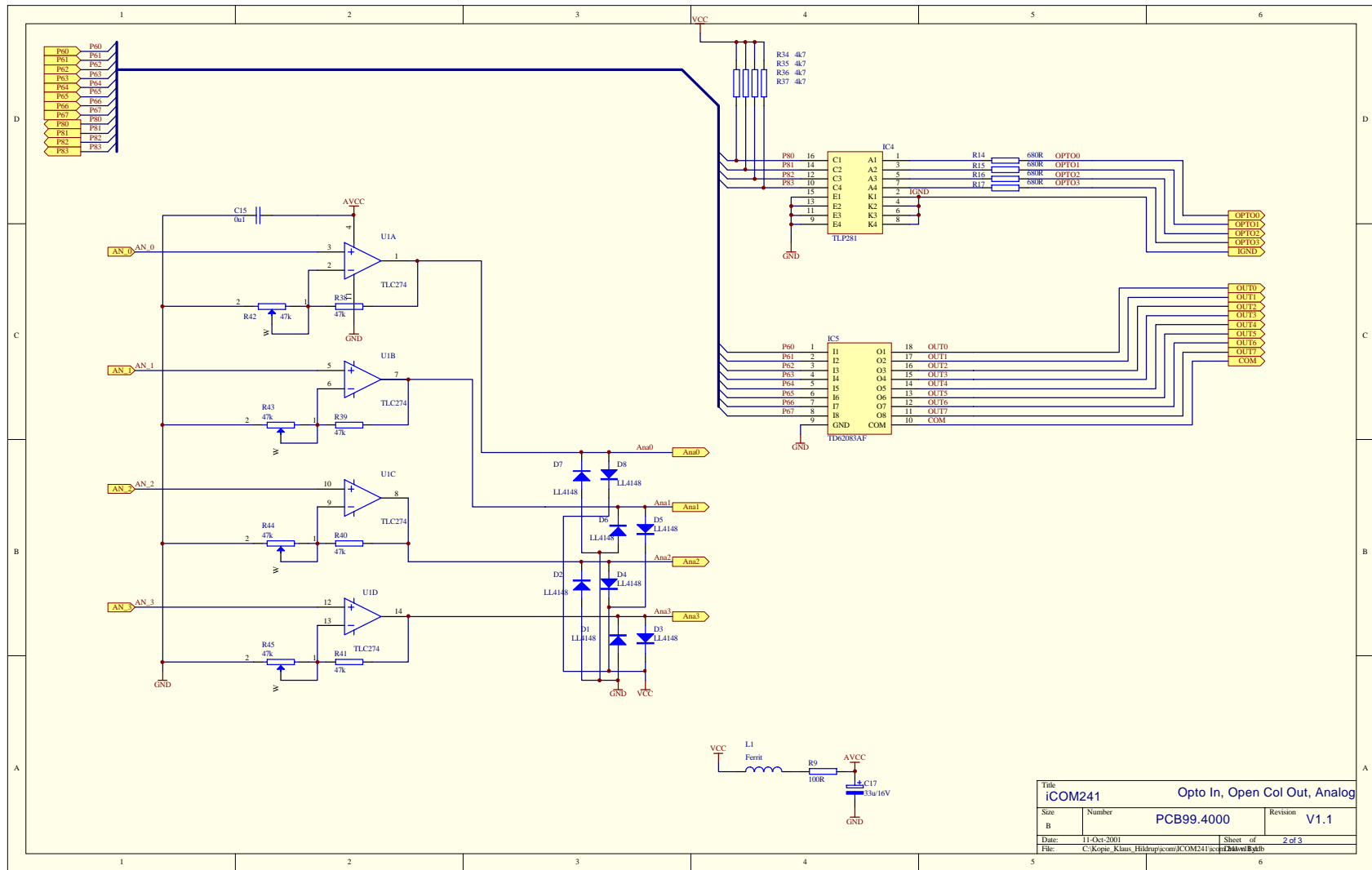
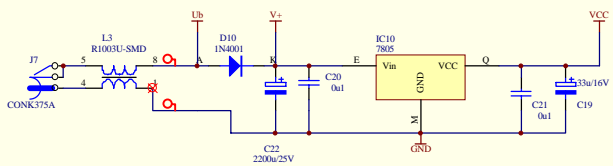


| | | | | | |
|-------|---|------------|---------|-----------------|------|
| Title | | | iCOM241 | | |
| Size | Number | PCB99.4000 | | Revision | V1.1 |
| B | | | | | |
| Date: | 11-Oct-2001 | | | Sheet of 1 of 3 | |
| File: | C:\Kopie_Klaus_Hikrup\icom\ICOM241\ic4\241wv1.dtb | | | | |



| | | | |
|-------|--|-------------------------------|---------------|
| Title | | iCOM241 | |
| Size | | Opto In, Open Col Out, Analog | |
| B | Number | PCB99.4000 | Revision V1.1 |
| Date: | 11-Oct-2001 | Sheet of 2 of 3 | |
| File: | C:\Kopie_Klaus_Hikrup\icom\iCOM241\ic4\i241.vw\B.dib | | |



| | | | | | |
|-------|---|------------|--------|--------------|------|
| Title | | iCOM241 | | Power Supply | |
| Size | Number | PCB99.4000 | | Revision | V1.1 |
| Date: | 11-Oct-2001 | Sheet of | | MD | |
| File: | C:\Kopie_Klaus_Hikrup\icom\ICOM241\icd424a\w1.dtb | | 3 of 3 | | |