

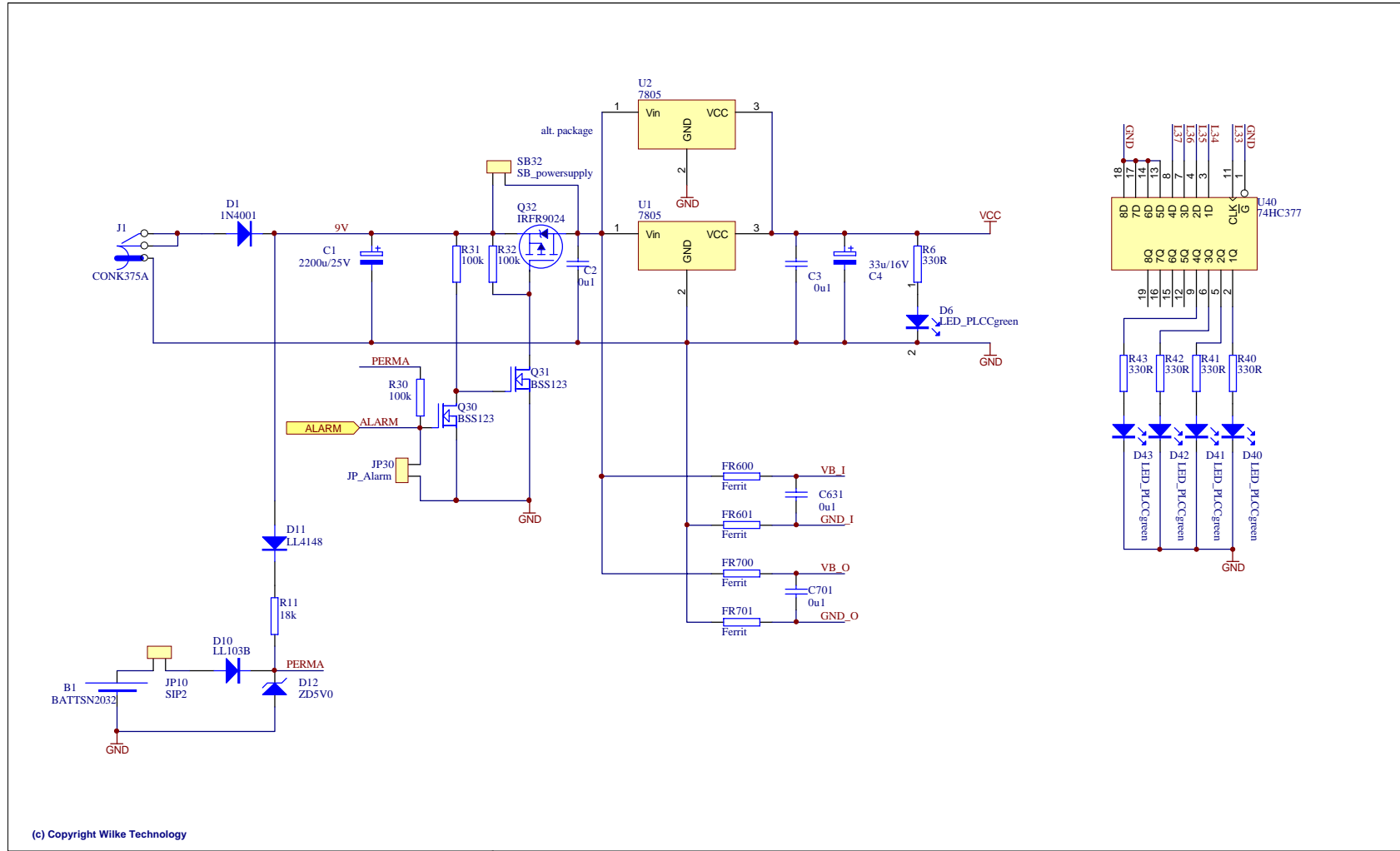
Wilke Technology
Krefelder Str. 147
D-52070 Aachen
Germany

Tel: xx49 / 241 / 91890-0
Fax: xx49 / 241 / 91890-44
info@wilke-technology.com
www.wilke-technology.com

File: DK-6.sch
Date: 12-Oct-2001 12:05:50
Size: Drawn by:

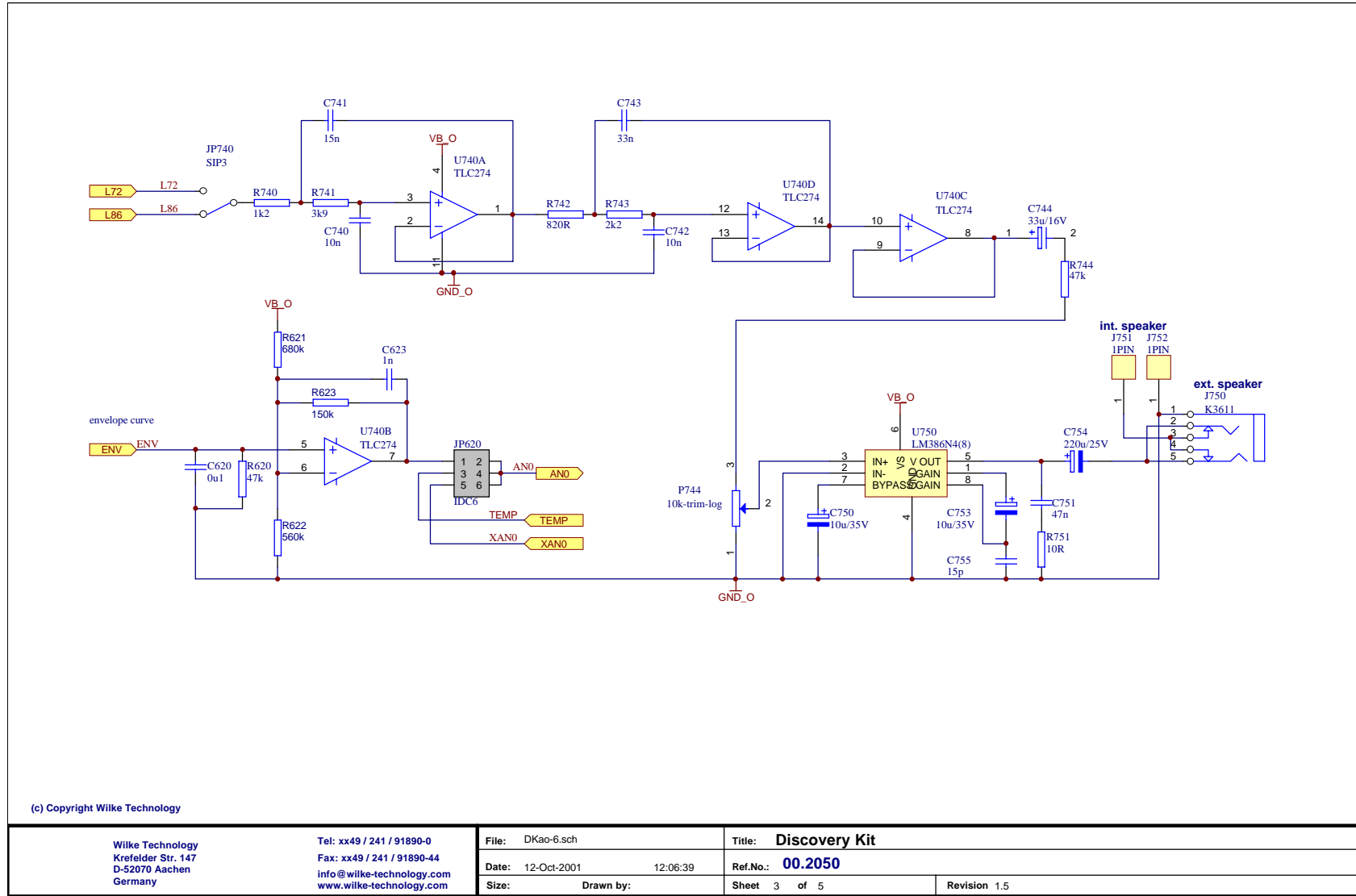
Title: **Discovery Kit**
Ref.No.: **00.2050**
Sheet 1 of 5

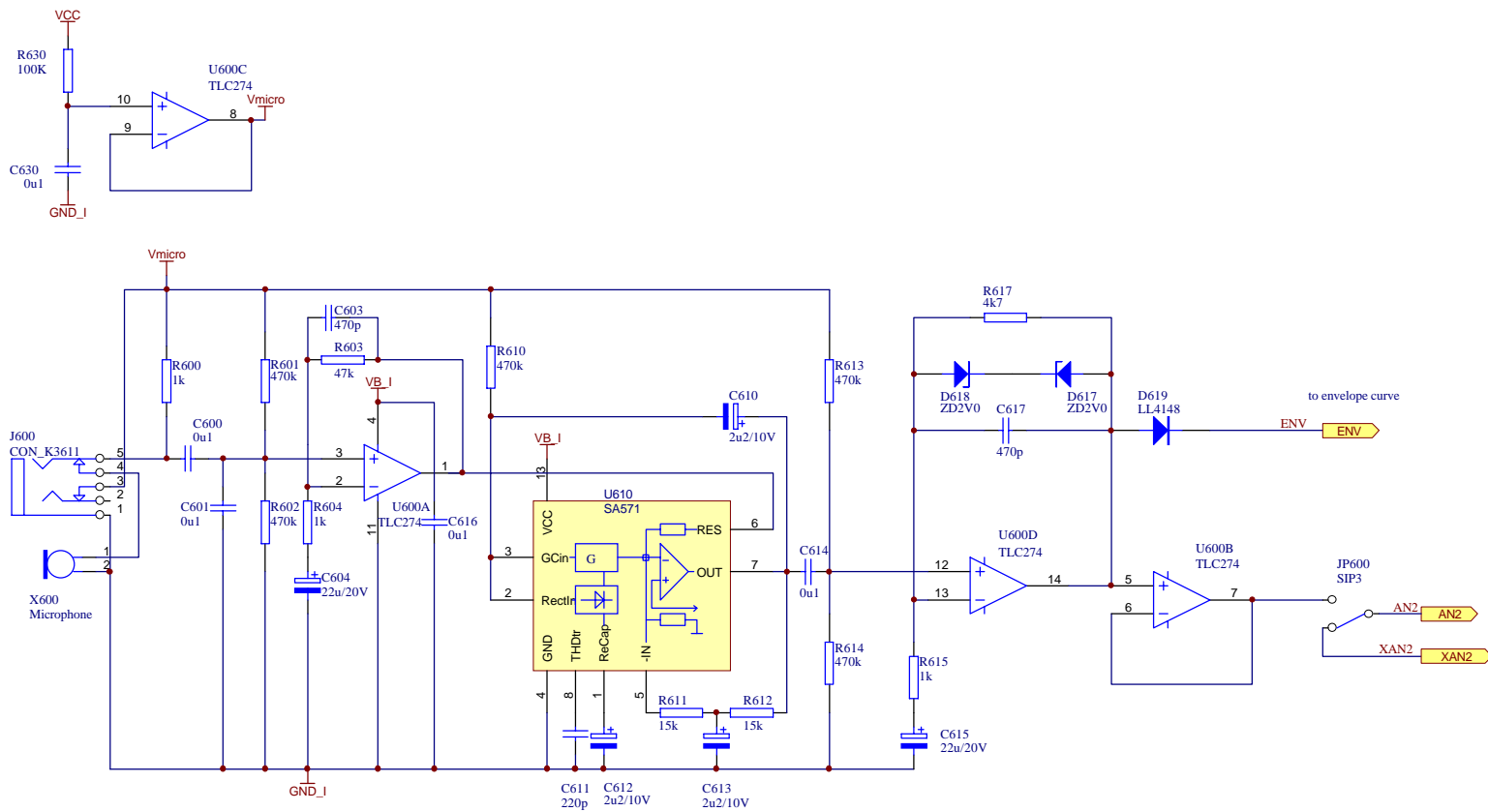
Revision 1.5



(c) Copyright Wilke Technology

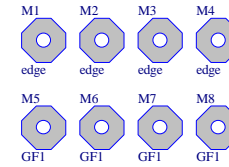
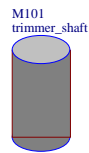
Wilke Technology Krefelder Str. 147 D-52070 Aachen Germany	Tel: xx49 / 241 / 91890-0 Fax: xx49 / 241 / 91890-44 info@wilke-technology.com www.wilke-technology.com	File: DKps-6.sch	Title: Discovery Kit		
		Date: 12-Oct-2001 12:07:34	Ref.No.: 00.2050		
Size: Drawn by:		Sheet 2 of 5	Revision 1.5		





(c) Copyright Wilke Technology

Wilke Technology Krefelder Str. 147 D-52070 Aachen Germany	Tel: xx49 / 241 / 91890-0 Fax: xx49 / 241 / 91890-44 info@wilke-technology.com www.wilke-technology.com	File: DKai-6.sch	Title: Discovery Kit	
		Date: 12-Oct-2001 12:06:17	Ref.No.: 00.2050	
		Size: Drawn by:	Sheet 4 of 5	Revision 1.5



M100
PCB002050



(c) Copyright Wilke Technology

Wilke Technology
Krefelder Str. 147
D-52070 Aachen
Germany

Tel: xx49 / 241 / 91890-0
Fax: xx49 / 241 / 91890-44
info@wilke-technology.com
www.wilke-technology.com

File: DKmech-6.sch
Date: 12-Oct-2001 12:06:59
Size: Drawn by:

Title: **Discovery Kit**

Ref.No.: **00.2050**

Sheet 5 of 5

Revision V1.5